



# WS2812B-Mini-V2

Intelligent external control LED  
Integrated light source

## Features and Benefits

- The IC's control circuit and the LED share the same power supply.
- Control circuit and RGB chip are integrated in a package of 3535 component, to form a complete external control pixel.
- Built-in signal reshaping circuit, any pixel receives the signal, and then re-export after waveform reshaping to ensure that the waveform distortion of the circuit will not accumulate.
- Built-in Power-on reset and Power-off reset circuits.
- The three primary color of each pixel can achieve 256 level Gray scale, and to fulfill 16777216 colors full-color display, its scan frequency is higher than 2KHz.
- The reception and decoding of cascading data can be completed by a Serial Interface.
- Any two transmission distance not more than 3 Meters, without adding any circuit.
- When the refresh rate is of 30fps, the cascade numbers are not less than 1024 pixels.
- Data transfer speeds up to 800Kbps.
- Highly brightness consistency, and cost-effective.

## Applications

- Full-color module, Full-color flexible strip.
- LED decorative lighting, Indoor/outdoor LED video irregular screen.

## General description

WS2812B-Mini-V2 is an intelligent control LED light source that the control circuit and RGB chip are integrated in a package of 3535 component. It internal include intelligent digital port data latch and signal reshaping amplification drive circuit. It also includes a high-precision internal oscillator and a programmable constant current control part to ensure high color consistency.

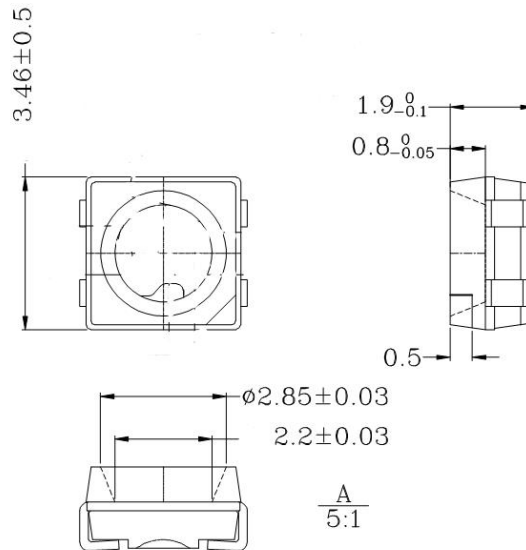
The data transfer protocol use single NZR communication mode. After the pixel power-on reset, the DIN port receive data from controller, the first pixel collect initial 24bit data then sent to the internal data latch, the other data which reshaping by the internal signal reshaping amplification circuit sent to the next cascade pixel through the DO port. After transmission for each pixel, the signal to reduce 24bit. pixel adopt auto reshaping transmit technology, making the pixel cascade number is not limited the signal transmission, only depend on the speed of signal transmission.

RESET time > 280 $\mu$ s , it won't cause wrong reset while interruption, it supports the lower frequency and inexpensive MCU.

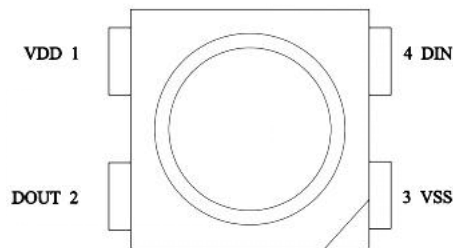
Refresh Frequency updates to 2KHz, Low Frame Frequency and No Flicker appear in HD Video Camera, it improve excellent display effect.

LED with low driving voltage, environmental protection and energy saving, high brightness, scattering angle is large, good consistency, low power, long life and other advantages. The control chip integrated in LED above becoming more simple circuit, small volume, convenient installation.

## Mechanical Dimensions



## PIN Configurations



## PIN Functions

NO.	Symbol	Function description
1	VDD	LED Power supply
2	DOUT	Control data signal output
3	VSS	Ground
4	DIN	Control data signal input

## Absolute Maximum Ratings

Parameter	Symbol	Ratings	Unit
Power supply voltage	V <sub>DD</sub>	+3.7~+5.3	V
Logical Input Voltage	V <sub>I</sub>	V <sub>DD</sub> -0.7~V <sub>DD</sub> +0.7	V
Operation junction temperature	T <sub>opt</sub>	-25~+85	°C
Storage temperature range	T <sub>stg</sub>	-40~+105	°C



# WS2812B-Mini-V2

Intelligent external control LED  
Integrated light source

Electrical Characteristics ( $T_A=-20\sim+70^{\circ}\text{C}$ ,  $V_{DD}=4.5\sim5.5\text{V}$ ,  $V_{SS}=0\text{V}$ , unless otherwise specified)

Parameter	Symbol	Min	Tpy	Max	Unit	Condition
Input current	$I_I$	—	—	$\pm 1$	$\mu\text{A}$	$V_I=V_{DD}/V_{SS}$
Input voltage level	$V_{IH}$	$0.7V_{DD}$	—	—	V	$D_{IN}, SET$
	$V_{IL}$	—	—	$0.3 V_{DD}$	V	$D_{IN}, SET$
Hysteresis voltage	$V_H$	—	0.35	—	V	$D_{IN}, SET$
LED Lifespan	tled	50000	—	—	H	Test Current: 16mA Test Temperature: Room Temp.( $25^{\circ}\text{C}\pm 5^{\circ}\text{C}$ )

Switching Characteristics ( $T_A=-20\sim+70^{\circ}\text{C}$ ,  $V_{DD}=4.5\sim5.5\text{V}$ ,  $V_{SS}=0\text{V}$ , unless otherwise specified)

Parameter	Symbol	Min	Tpy	Max	Unit	Condition
Transmission delay time	$T_{PLZ}$	—	—	300	ns	$CL=15\text{pF}$ , $D_{IN}\rightarrow D_{OUT}$ , $RL=10\text{K}\Omega$
Fall time	$T_{THZ}$	—	—	120	$\mu\text{s}$	$CL=300\text{pF}$ , $OUTR/OUTG/OUTB$
Input capacity	$C_I$	—	—	15	pF	—

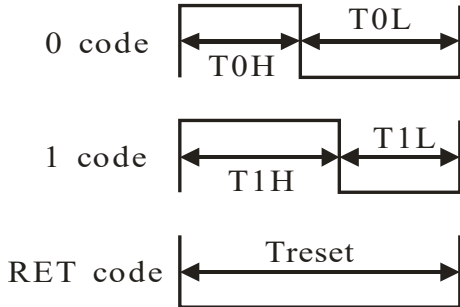
## LED Characteristics

	Ref. Value
Quiescent Current	0.6mA
RGB Channel Constant Current	12mA
<b>RED</b> Brightness (Central Value)	400-600mcd
<b>GREEN</b> Brightness (Central Value)	1300-1800mcd
<b>BLUE</b> Brightness (Central Value)	300-500mcd
<b>RED</b> Wavelength	620-630nm
<b>GREEN</b> Wavelength	520-530nm
<b>BLUE</b> Wavelength	465-475nm

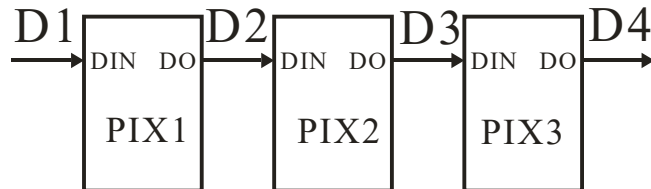
## Data Transfer Time

T0H	0 code, high voltage time	220ns~380ns
T1H	1 code, high voltage time	580ns~1 $\mu\text{s}$
T0L	0 code, low voltage time	580ns~1 $\mu\text{s}$
T1L	1 code, low voltage time	220ns~420ns
RES	low voltage time	> 280 $\mu\text{s}$

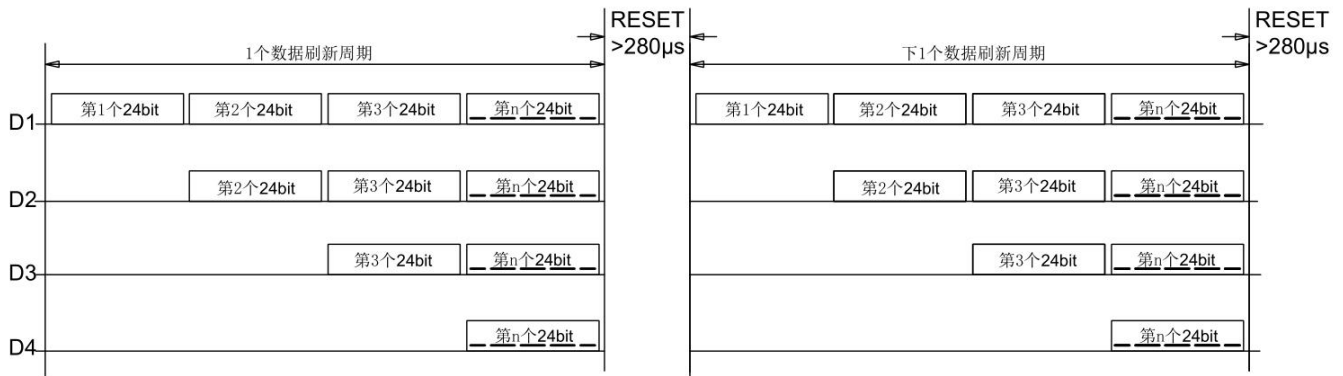
### Sequence chart



### Cascade Method



### Data Transmission Method



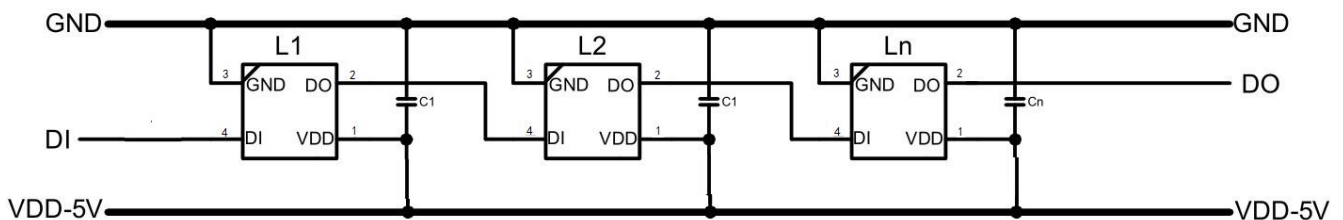
Note: The data of D1 is sent by MCU, and D2, D3, D4 through pixel internal reshaping amplification to transmit.

### Composition of 24bit Data

G7	G6	G5	G4	G3	G2	G1	G0	R7	R6	R5	R4	R3	R2	R1	R0	B7	B6	B5	B4	B3	B2	B1	B0
----	----	----	----	----	----	----	----	----	----	----	----	----	----	----	----	----	----	----	----	----	----	----	----

Note: Follow the order of GRB to send data and the high bit sent at first.

### Typical Application Circuit



Remarks: C1 is external filter capacitor, its value of 100NF.



# WS2812B-Mini-V2

Intelligent external control LED  
Integrated light source

## Top SMD LED Using Instructions

### 1. Summary

To make the best use of WORLDSEMI's LED, please refer to the below precautions, they are of same usage method as other electronic components.

### 2. Cautions

#### 2.1. Dust & Cleaning

The surface of the LED is encapsulated with modified epoxy resin because it plays a very good role in protecting the optical performance and aging resistance. The modified epoxy resin is easy to stick with dust and must be kept clean. When there's a certain amount of dust on the surface of the LED, it won't affect brightness, but dust proof should be taken care of. Promoting the use of unsealed package in preference to others and the assembled LEDs should be placed in a clean container.

Avoid using the organic solvents to clean the dust on the LED surface and it's necessary to confirm whether the cleaning fluid will dissolve the LED.

Do not clean the LEDs by the ultrasonic. Some parameters affecting the LED performance must be evaluated if have no alternative but to the ultrasonic cleaning method, such as ultrasonic power, baking time and assembly conditions, etc.

#### 2.2. Moisture-proof packaging

TOP SMD LEDs are moisture sensitive components. LEDs are packaged in aluminum foil bag to prevent the from absorbing moisture during transport and storage. A desiccant is placed in the bags to absorb moisture. If the LED absorbs moisture, then it evaporates and expands when in reflow process, which may break the colloid from the bracket and damage the optical performance of LED. For this reason, moisture-proof packaging is to prevent the from absorbing moisture during transport and storage. The moisture resistance rating of WORLDSEMI's LED is: LEVEL 6.

**Tabel I - IPC/JEDEC J-STD-020 Moisture/Reflow Sensitivity Classification**

MSL Level	Workshop Life	
	Time	Conditions
LEVEL1	Unlimited	≤30°C/85%RH
LEVEL2	1 Year	≤30°C/60%RH
LEVEL2a	4 Weeks	≤30°C/60%RH
LEVEL3	168 Hours	≤30°C/60%RH
LEVEL4	72 Hours	≤30°C/60%RH
LEVEL5	48 Hours	≤30°C/60%RH
LEVEL5a	24 Hours	≤30°C/60%RH
LEVEL6	Take-out and Use immediately	≤30°C/60%RH

#### 2.3. Management after unpacking

- Room temperature sealed storage: 20°C ~ 30°C, 25% ~ 60%RH, product is valid for THREE month.
- Moisture-proof sealed storage: 20°C ~ 30°C, 10% ~ 25%RH, product is valid for SIX month.
- Use up within 4 hours after removing from packages.(Environmental conditions for temperature <30°C, relative humidity<60%)

### 2.4. Dehumidification

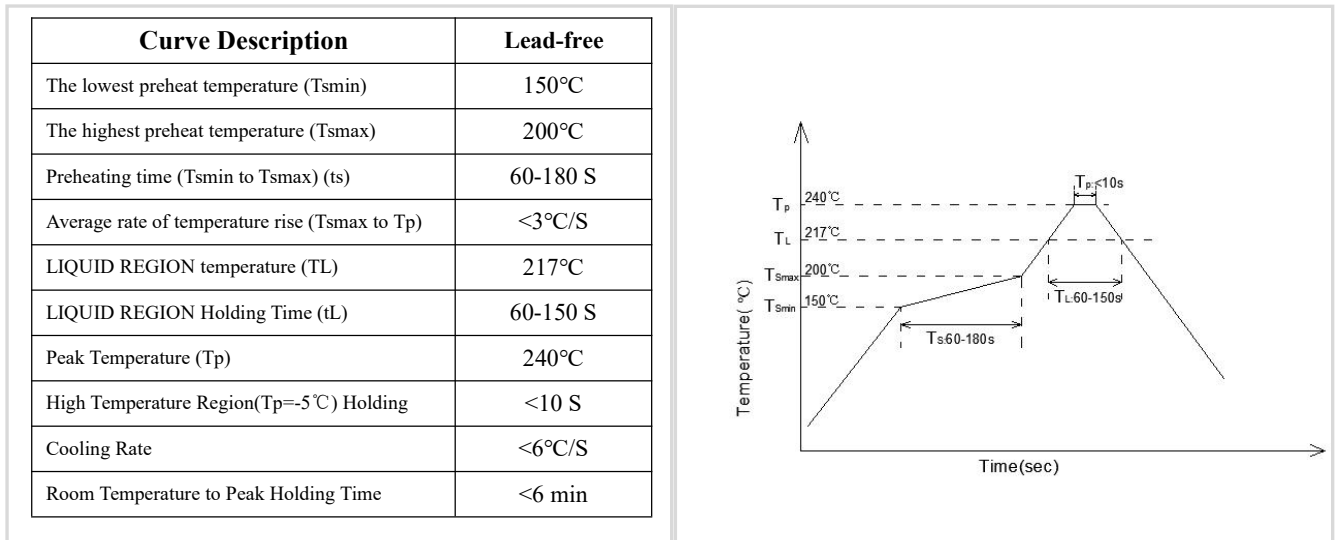
- We would recommend to do dehumidification if they exceed the valid storage period of products or dampened due to other reasons.
- Dehumidification Method: 75°C/>24 Hours.

### 3. Management of secondary SMT process

It's necessary to do moisture-proof treatment when the secondary reflow carried out that followed the first reflow. It can't be more than 2 hours to be exposed at condition of “<30°C/60%RH” and dehumidification operation is requested for a longer interval reflow. For instance, place in a drying box or a container with desiccant, and dehumidify it before the secondary reflow(Low temperature baking operation: 70°C-75°C, ≥12 hours).

## 4. SMT Reflow

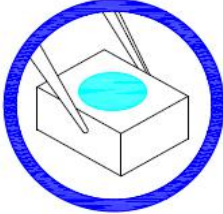
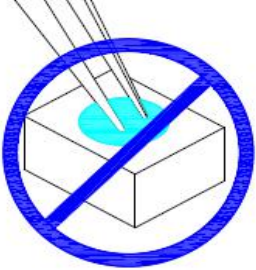
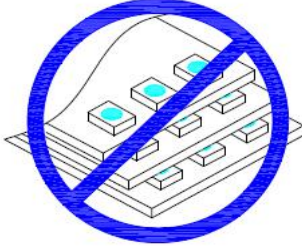

Refer to the parameters listed below, the experimental results prove that the TOP SMD LED meets the JEDEC J-STD-020C standards. As a general guideline, it is recommended to follow the SMT reflow temperature curve recommended by the solder paste manufacturer.



Remarks: 1. These general guidelines may not apply to all PCB designs and reflow soldering configurations.

2. All temperatures referred are measured on the surface of the package body.

### 5. Assembly Precautions

1. Clip the LED from its side.	2. Neither directly touch the gel surface with the hand or sharp instrument, it may damage its internal circuit.
	
3. Not to be double stacked, it may damage its internal circuit.	4. Can not be stored in or applied in the acidic sites of PH<7.
	

### Modify Record

Version №	Status Bar	Modify Content Summary	Date	Reviser	Approved
V1.0	N	New	20180822	Shen JinGuo	Yin HuaPing

**Remarks:** Initial version: V1.0; Version number plus "0.1" after each revision;

Status bar: N--New, A--Add, M--Modify, D--Delete.